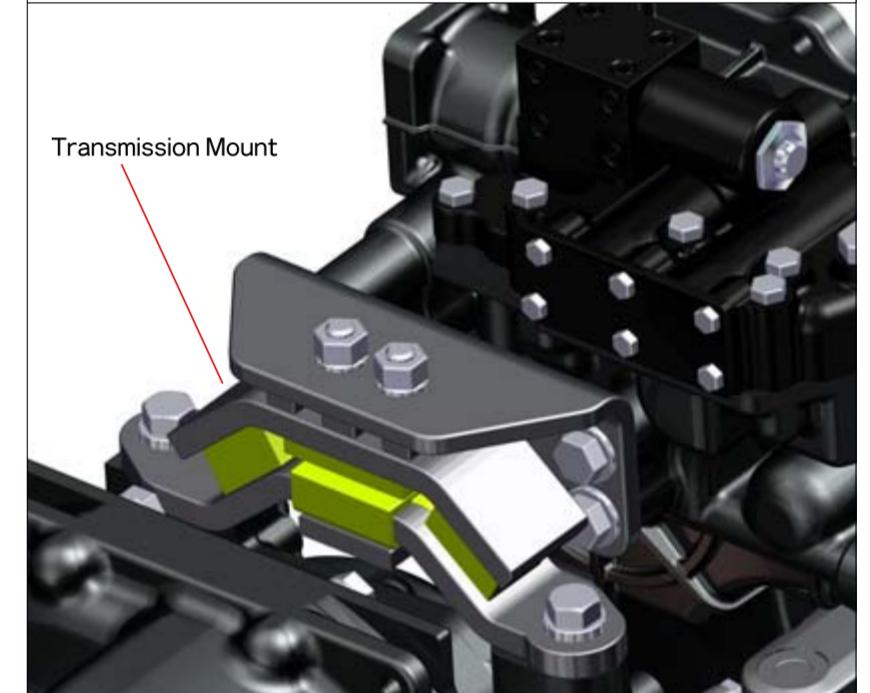


KOMATSU FORKLIFT

Structure of Manual Transmission



Power Train Floating



Power Train

